

Current part is item (5,9,13,12) on diagram. Available at www.oshkoshequipment.com

(1)	(2)	(3)	(4)	(5)	(6)	(7)	(8)	
ILLUS.							QTY	
(a)	(b)	SMR	NATIONAL	PART		DESCRIPTION	U/M	INC
FIG.	ITEM	CODE	STOCK	NUMBER	FSCM			IN
NO.	NO.		NUMBER			USABLE ON CODE		UNIT
						1002-DIFFERENTIAL		
81	1	PAFFH	2520-00-692-6098	7521783	19207	DIFFERENTIAL,DRIVING AXLE: W/CARRIER ASSEMBLY	EA	1
81	2	PAFZZ	5305-00-269-3209	MS90725-58	96906	SCREW,CAP,HEXAGON HEAD	EA	12
81	3	PAFZZ	5310-00-637-9541	MS35338-46	96906	WASHER, LOCK	EA	8
81	4	PAFZZ	2520-00-752-1781	7521781	19207	COVER	EA	1
81	5	KFFZZ		7521780	19207	GASKET:CARRIER INSPECTION HOLE(PART OF SET, P/N7521764)	EA	1
81	6	PAHZZ	5305-00-752-1718	7521718	19207	SETSCREW:BEVEL GEAR BEARING SLEEVE	EA	1
81	7	PAFZZ	5310-00-177-0892	7748743	19207	WASHER, FLAT	EA	4
81	8	PAFZZ	2520-00-081-0673	10896971	19207	COVER ASSEMBLY	EA	1
81	9	PAFZZ	5330-00-752-1671	7521671	19207	GASKET:CARRIER COVER, RIGHT(PART OF SET, P/N7521764)	EA	1
81	10	PAHZZ	5305-00-071-2070	MS90728-114	96906	SCREW	EA	6
81	11	PAHZZ	5310-00-584-5272	MS35338-48	96906	WASHER, LOCK	EA	6
81	12	PAHZZ	2520-00-752-1684	7521684	19207	COVER	EA	1
81	13	KFHZZ		7521713	19207	SHIM:COVER, .0010(PART OF SET,P/N7521764)	EA	1
81	13	KFHZZ		7521714	19207	SHIM:COVER, .0005(PART OF SET,P/N7521764)	EA	4
81	13	KFHZZ		7521715	19207	SHIM:COVER, .0003(PART OF SET,P/N7521764)	EA	1
81	14	PAHZZ	5305-00-042-8997	7535357	19207	SCREW	EA	2
81	15	PAHZZ	2520-00-752-1673	7521673	19207	PLATE:SPUR PINION BEARING	EA	1
81	16	XBHZZ		712547	21450	BEARING ASSEMBLY	EA	2
81	17	XAHZZ		7700131	19207	CAGE	EA	1
81	18	PAHZZ	5315-00-696-0271	7521791	19207	KEY,MACHINE	EA	1
81	19	PAHZZ	3040-00-752-1685	7521685	19207	PINION:SPUR	EA	1
81	20	PAHZZ	5365-00-752-1717	7521717	19207	RING,RETAINING: BEVEL GEAR BEARING	EA	1
81	21	XBHZZ		10937642	19207	BEARING,ROLLER,CYLINDRICAL	EA	1
81	22	KFHZZ		7529066	19207	GEAR(PART OF SET, P/N7521712)	EA	1
81	23	PAHZZ	5365-00-752-1779	7521779	19207	NUT	EA	2
81	24	PAHZZ	5305-00-400-8451	596931	21450	SCREW,MACHINE	EA	4

Current part is item (5,9,13,12) on diagram. Available at www.oshkoshequipment.com

Current part is item (5,9,13,12) on diagram. Available at www.oshkoshequipment.com

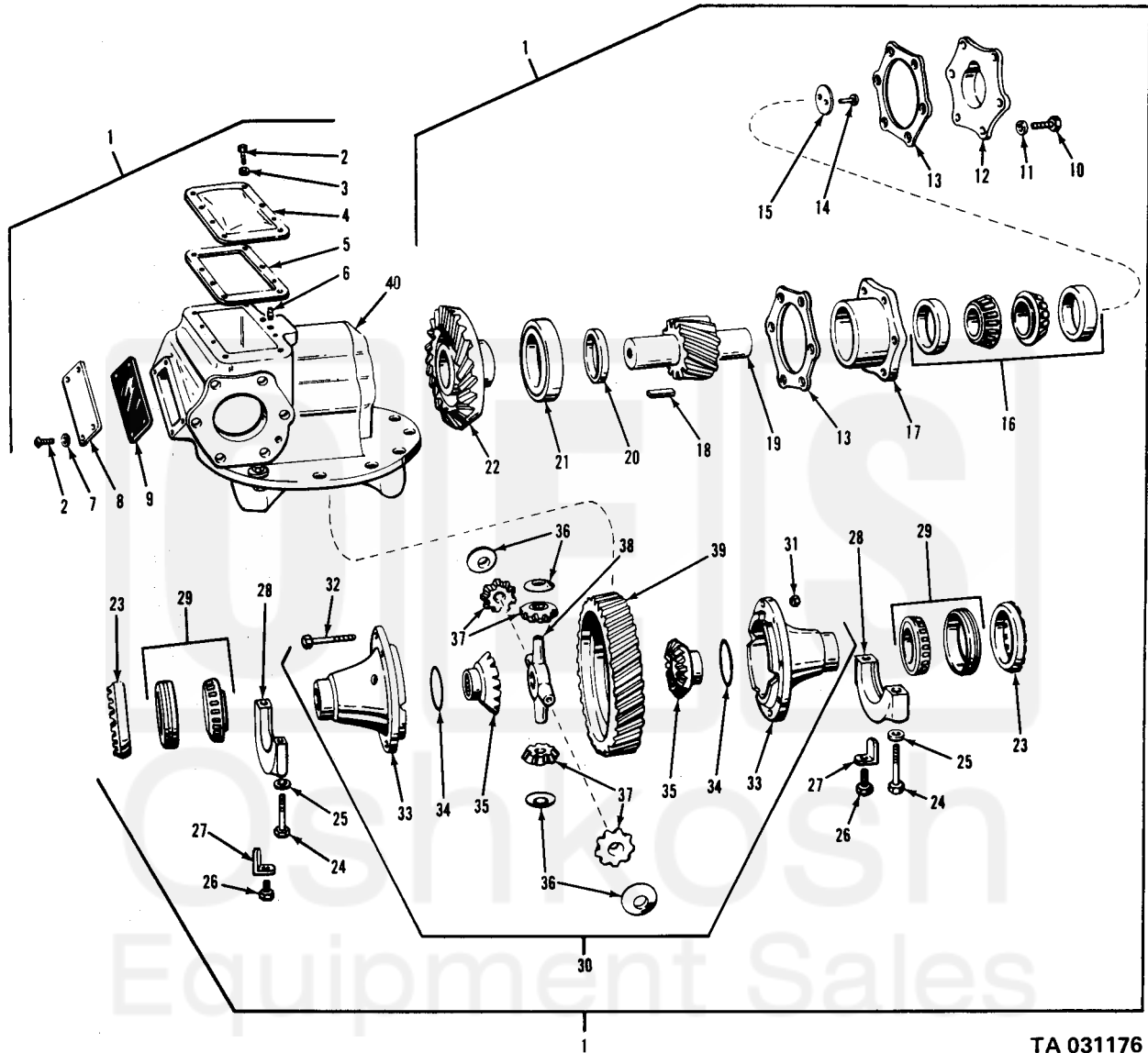
(1)	(2)	(3)	(4)	(5)	(6)	(7)	(8)
ILLUS.							QTY
(a)	(b)	SMR	NATIONAL	PART		DESCRIPTION	U/M
FIG.	ITEM	STOCK	STOCK	NUMBER	FSCM		INC
NO.	NO.	CODE	NUMBER			USABLE ON CODE	IN
							UNIT
1002-DIFFERENTIAL (CONT'D)							
81	25	PAHZZ	5310-00-494-8498	10896715	19207	WASHER, FLAT	EA 4
81	26	PAHZZ	5306-00-689-8852	MS51095-328	96906	BOLT: LOCK ADJUSTING RING	EA 2
81	27	PAHZZ	5310-00-752-1786	7521786	19207	WASHER, KEY: CASE BEARING ADJUSTING NUT	EA 2
81	28	PAHZZ	3130-00-087-3916	7700130	19207	CAP ASSEMBLY	EA 2
81	29	XBHZZ		712521	21450	BEARING ASSEMBLY	EA 2
81	30	XAHZZ		7700132	19207	CASE AND GEAR ASSEMBLY	EA 1
81	31	XBHZZ		10938304-1	19207	NUT, SLOTTED, HEXAGON	EA 8
81	32	PAHZZ	5306-00-752-1790	7521790	19207	BOLT, MACHINE	EA 8
81	33	PAHZZ	2520-00-752-1778	7521778	19207	CASE ASSEMBLY	EA 2
81	34	KFHZZ		7529060	19207	WASHER, THRUST: SIDE GEAR, (PART OF KIT, P/N5702299)	EA 2
81	35	KFHZZ		7529061	19207	GEAR: SIDE (PART OF KIT, P/N5702299)	EA 2
81	36	KFHZZ		7529058	19207	WASHER, THRUST: PINION (PART OF KIT, P/N5702299)	EA 4
81	37	KFHZZ		8380939	19207	PINION ASSEMBLY (PART OF KIT, P/N5702299)	EA 4
81	38	KFHZZ		8380940	19207	SPIDER (PART OF KIT, P/N5702299)	EA 1
81	39	PAHZZ	3020-00-752-1686	7521686	19207	GEAR, HELICAL	EA 1
81	40	XAHZZ		7529063	19207	CARRIER	EA 1
82	1	PAFZZ	5315-00-013-7214	MS24665-359	96906	PIN, COTTER	EA 2
82	2	PAFZZ	5310-00-752-1234	7521234	19207	NUT, SLOTTED, HEXAGON	EA 2
82	3	PAFZZ	5310-00-752-1235	7521235	19207	WASHER, FLAT	EA 2
82	4	PAFZZ	2520-00-752-1276	7521276	19207	FLANGE: COMPANION, THROUGH SHAFT, W/DEFLECTOR ASSEMBLY	EA 2
82	5	PAFZZ	2520-00-692-6080	7521242	19207	DEFLECTOR, DIRT AND LIQUID: DUST, COMPANION FLANGE	EA 2
82	6	PAFZZ	2520-00-134-5124	8757674	19207	FLANGE, DIFFERENTIAL	EA 2
82	7	PAHZZ	5305-00-071-2068	MS90728-112	96906	SCREW, CAP, HEXAGON HEAD	EA 12
82	8	PAHZZ	5310-00-079-1979	7748742	19207	WASHER, FLAT	EA 12
82	9	PAHZZ	2520-00-752-1703	7521703	19207	RETAINER ASSEMBLY: THROUGH SHAFT REAR BEARING, W/OIL SEAL ASSEMBLY	EA 1
82	10	PAHZZ	5330-00-143-8666	7521241	19207	SEAL, PLAIN, ENCASED: OIL, THROUGH RETAINER	EA 1

Current part is item (5,9,13,12) on diagram. Available at www.oshkoshequipment.com

Current part is item (5,9,13,12) on diagram. Available at www.oshkoshequipment.com

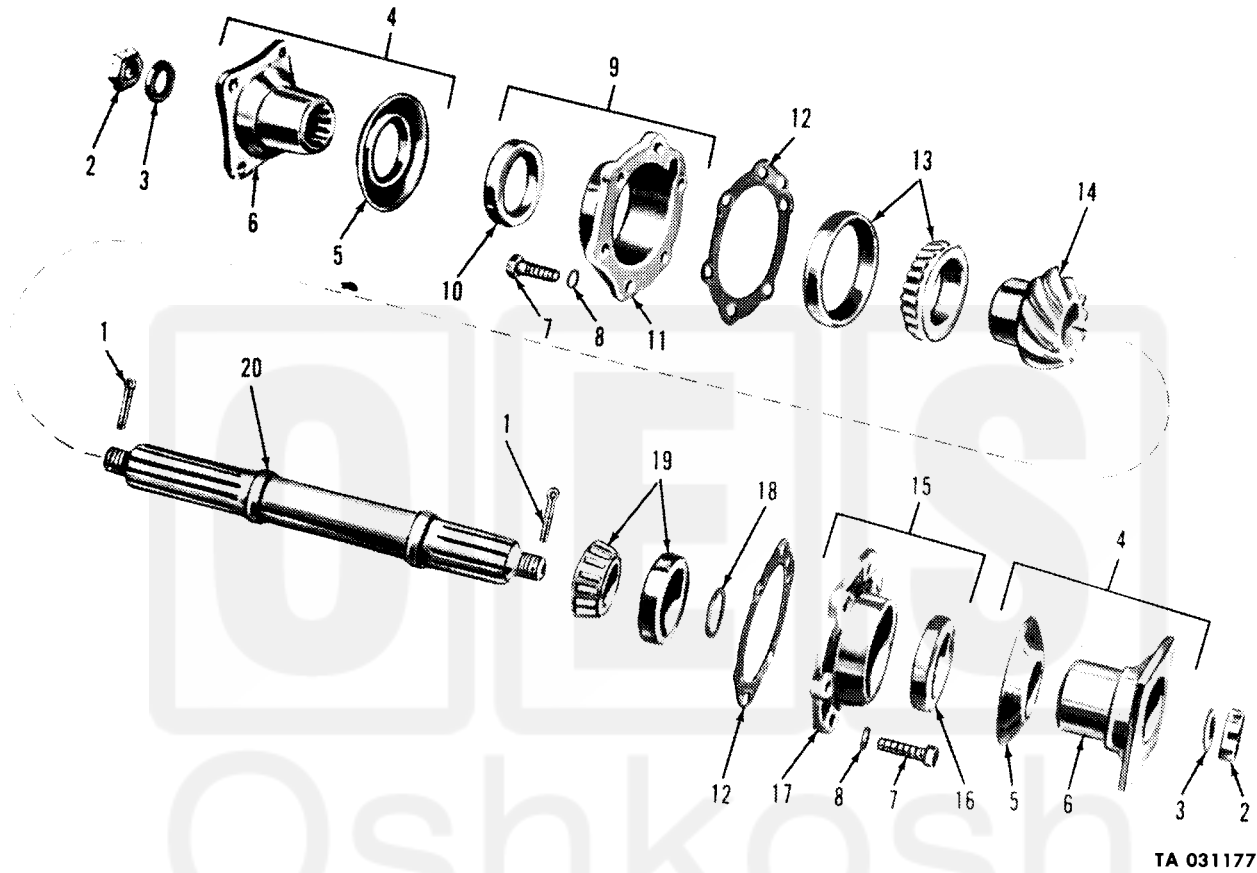
(1)	(2)	(3)	(4)	(5)	(6)	(7)	(8)
ILLUS.							QTY
(a)	(b)	SMR	NATIONAL	PART	DESCRIPTION	U/M	INC
FIG.	ITEM	CODE	STOCK	NUMBER	FSCM		IN
NO.	NO.		NUMBER		USABLE ON CODE		UNIT
					1002-DIFFERENTIAL (CONT'D)		
82	11	XAHZZ		8757660	19207	RETAINER	EA 1
82	12	KFHZZ		7521709	19207	SHIM:0.003(PART OF SET, P/N7521764)	EA 4
82	12	KFHZZ		7521708	19207	SHIM:0.005(PART OF SET, P/N7521764)	EA 6
82	12	KFHZZ		7521707	19207	SHIM:0.010(PART OF SET, P/N7521764)	EA 2
82	13	XBHZZ		712157	21450	BEARING ASSEMBLY	EA 1
82	14	KFHZZ		7529055	19207	PINION(PART OF SET, P/N7521712)	EA 1
82	15	PAHZZ	2520-00-752-1704	7521704	19207	RETAINER ASSEMBLY:THROUGH SHAFT FRONT BEARING W/OIL SEAL ASSEMBLY	EA 1
82	16	PAHZZ	5330-00-143-8666	7521241	19207	SEAL,PLAIN,ENCASED: OIL THROUGH RETAINER	EA 1
82	17	XAHZZ		7700134	19207	RETAINER	EA 1
82	18	PAHZZ	5365-00-248-4773	7700137	19207	SPACER,RING	EA 1
82	19	XBHZZ		714009	21450	BEARING ASSEMBLY	EA 1
82	20	PAHZZ	2530-00-752-1716	7521716	19207	SHAFT	EA 1
81		PAHZZ	5330-00-752-1764	7521764	19207	GASKET AND SHIM SET: DIFFERENTIAL	EA 1
81	5					GASKET	EA 1
81	9					GASKET	EA 1
81	13					SHIM	EA 1
81	13					SHIM	EA 4
81	13					SHIM	EA 1
82	12					SHIM	EA 4
82	12					SHIM	EA 6
82	12					SHIM	EA 2
81		PAHZZ	3020-00-752-1712	7521712	19207	GEAR SET:BEVEL(MATCHED)	SE 1
81	22					GEAR	EA 1
82	14					PINION	EA 1
81		PAHZZ	2520-00-629-8827	5702299	19207	PARTS KIT,DIFFERENTIAL	EA 1
81	34					WASHER	EA 2
81	35					GEAR	EA 2

Current part is item (5,9,13,12) on diagram. Available at www.oshkoshequipment.com



TA 031176

Figure 81. Front differential assembly.



TA 031177

Figure 82. Front differential.